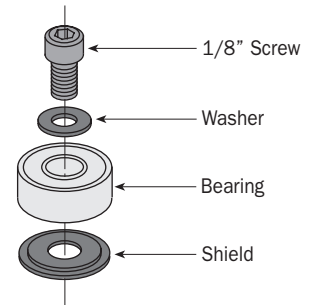


D Outside Diameter		d Inside Diameter		Bevel	Order No.	List Price \$
inches	mm	inches	mm			
3/8"	9.5	3/16"	4.76		791.002.00	<b>4.90</b>
1/2"	12.7	3/16"	4.76		791.003.00	<b>3.90</b>
1/2"	12.7	1/4"	6.35		791.010.00	<b>5.90</b>
5/8"	15.8	3/16"	4.76		791.018.00	<b>7.50</b>
5/8"	15.8	1/4"	6.35		791.009.00	<b>4.90</b>
	16		8		791.025.00	<b>5.90</b>
3/4"	19	3/16"	4.76		791.019.00	<b>7.90</b>
3/4"	19	1/4"	6.35		791.004.00	<b>4.90</b>
3/4"	19	1/2"	12.7		791.011.00	<b>11.50</b>
	22		8		791.005.00	<b>4.90</b>
7/8"	22.2	3/16"	4.76		791.017.00	<b>8.90</b>
7/8"	22.2	3/8"	9.52		791.021.00	<b>7.50</b>
1-1/8"	28.5	3/16"	4.76		791.014.00	<b>8.90</b>
1-1/8"	28.5	1/2"	12.7		791.027.00	<b>7.50</b>
1-1/4"	31.7		8		791.033.00	<b>8.90</b>
1-1/4"	31.7	1/2"	12.7		791.015.00	<b>8.90</b>
1-3/8"	34.9	3/16"	4.76		791.016.00	<b>10.50</b>
	37		12		791.028.00	<b>8.90</b>
1-1/2"	38.1	1/2"	12.7		791.020.00	<b>8.90</b>
3/4"	19	3/16"	4.76	10°	791.041.00	<b>8.90</b>



Important: always assemble the black bearing heat shield with the raised side up when changing the bearing. Improper assembly will cause the screw to come loose and the bearing to fall off when working.

Description	Order No.	List Price \$
Stop collar for 1/4" shanks	541.001.00	<b>6.50</b>
Stop collar for 1/2" shanks	541.002.00	<b>6.50</b>



Description	Order No.	List Price \$
Screw 1/8W x 1/4"	990.057.00	<b>0.90</b>
Screw 1/8W x 3/8"	990.058.00	<b>0.90</b>
Screw 1/8W x 1/2"	990.059.00	<b>1.50</b>



Description	Order No.	List Price \$
3/32" Hex key for 1/8W screw	991.057.00	<b>3.50</b>
1.5 mm Hex key	991.056.00	<b>3.50</b>

