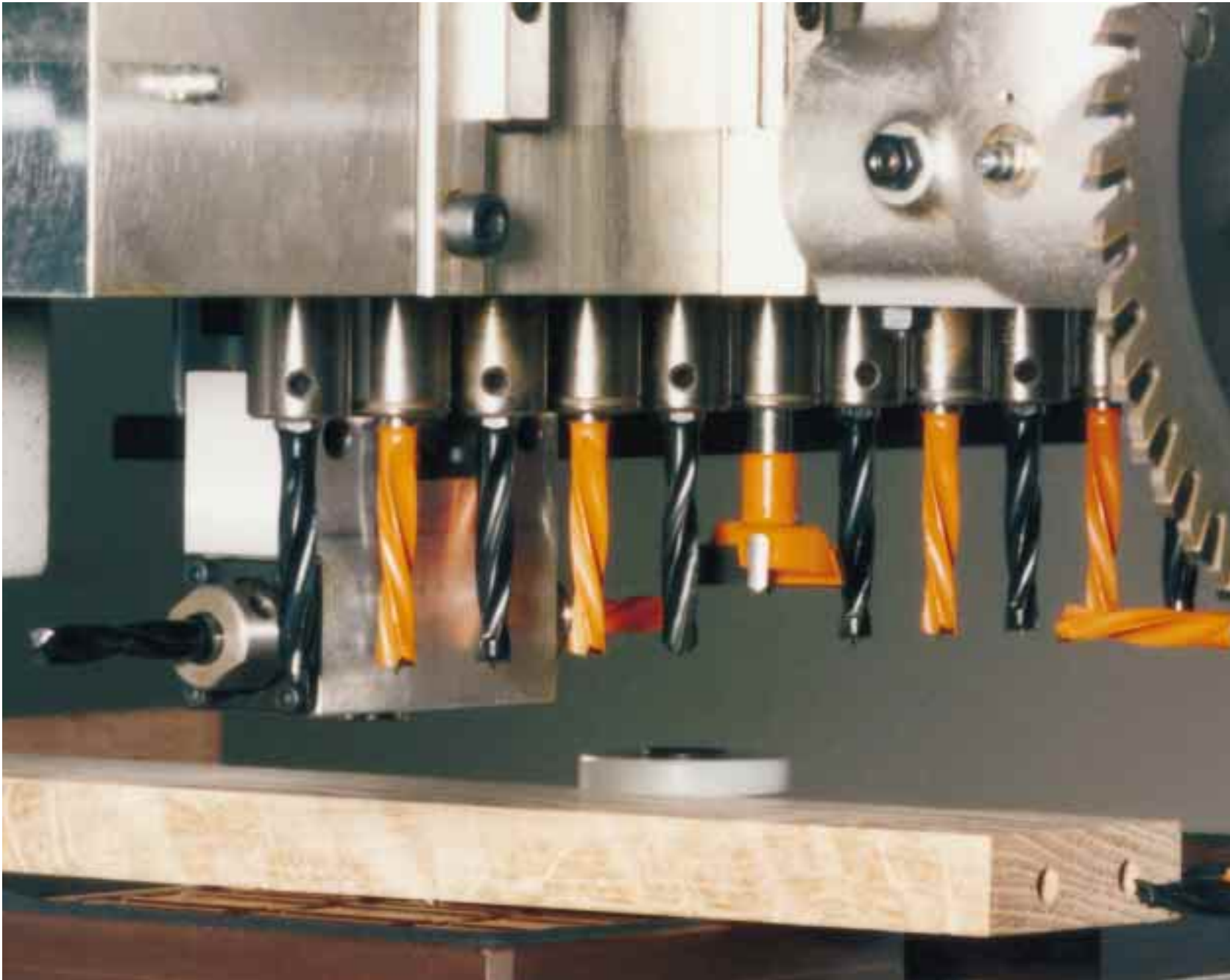




TOOLS FOR  
PRODUCTION  
WOODWORKING  
1998

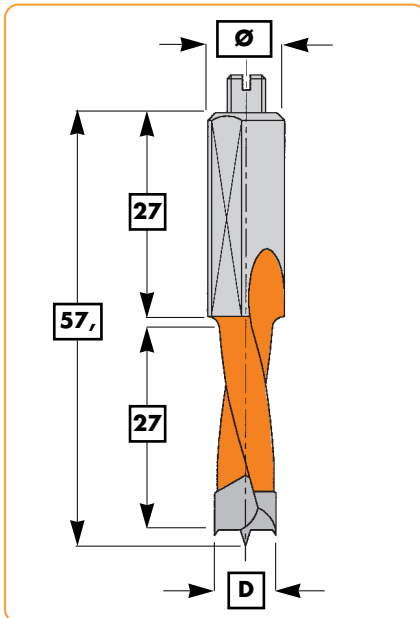


---

DRILL BITS, SPIRAL BITS,  
BORING BITS &

---

TO ORDER THE CMT BORING BITS CATALOGUE, CONTACT CMT USA, INC.  
TOLL FREE 1-888-CMT-BITS    FAX 1-800-268-9778    E-MAIL CMTUSA@AOL.COM



Fits countersink 315.

**Shank Ø 10x27 mm Cutting Length 27 mm Overall Length**

D Cutting Diameter mm inches	Order No.		List Price \$
	Right-Hand Rotation	Left-Hand Rotation	
4 *	310.040.11	310.040.12	<b>18.90</b>
4.5 **	310.045.11	310.045.12	<b>18.50</b>
4.76	310.047.11	310.047.12	<b>18.90</b>
5	310.050.11	310.050.12	<b>16.50</b>
5.1	310.051.11	310.051.12	<b>21.90</b>
5.2	310.052.11	310.052.12	<b>21.90</b>
5.55	310.055.11	310.055.12	<b>21.90</b>
6	310.060.11	310.060.12	<b>17.50</b>
6.35	310.064.11	310.064.12	<b>18.50</b>
6.5	310.065.11	310.065.12	<b>18.50</b>
7	310.070.11	310.070.12	<b>19.50</b>
8	310.080.11	310.080.12	<b>17.90</b>
8.2	310.082.11	310.082.12	<b>21.50</b>
9	310.090.11	310.090.12	<b>21.50</b>
9.52	310.095.11	310.095.12	<b>20.90</b>
10	310.100.11	310.100.12	<b>20.50</b>
11	310.110.11	310.110.12	<b>23.90</b>
12	310.120.11	310.120.12	<b>23.90</b>
12.7	310.127.11	310.127.12	<b>30.90</b>
13	310.130.11	310.130.12	<b>32.50</b>
14	310.140.11	310.140.12	<b>32.90</b>
15	310.150.11	310.150.12	<b>33.90</b>
16	310.160.11	310.160.12	<b>34.90</b>
SPARE PARTS:	M5x10 mm screw	990.003.00	<b>0.90</b>

\* Cutting Length = 18 mm

\*\* Cutting Length = 22 mm

**TECHNICAL DETAILS:**

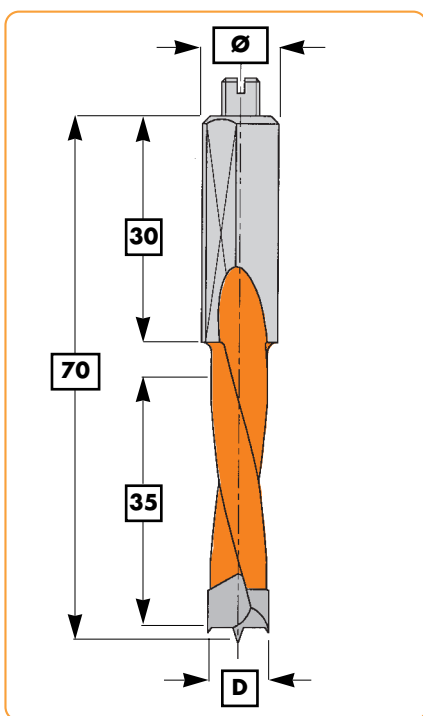
- Premium quality super strength steel
- Spiral portion coated with black (RH) or orange (LH) Teflon®
- Solid TC head with center point
- 2 cutting edges (Z2) - 2 spiral flutes
- 2 negatively ground spurs (V2)
- Parallel shank with machined-flat for driving and length adjusting screw.

CMT offers a complete selection of bit lengths and diameters. Contact CMT USA, Inc. for a FREE 32 page copy of the CMT "Tools for Production Woodworking Catalogue" at 1-888-CMT BITS™.

# Dowel drills



## 311 CARBIDE TIPPED



Fits countersink 315.

### Shank Ø 10x30 mm Cutting Length 35 mm Overall Length

D Cutting Diameter mm	Cutting Diameter inches	Order No.		List Price \$
		Right-Hand Rotation	Left-Hand Rotation	
4 *	5/32"	311.040.11	311.040.12	<b>19.50</b>
4.76	3/16"	311.047.11	311.047.12	<b>19.50</b>
5		311.050.11	311.050.12	<b>17.50</b>
5.1		311.051.11	311.051.12	<b>19.90</b>
5.2		311.052.11	311.052.12	<b>19.90</b>
5.55	7/32"	311.055.11	311.055.12	<b>19.90</b>
6		311.060.11	311.060.12	<b>17.90</b>
6.35	1/4"	311.064.11	311.064.12	<b>18.90</b>
6.5		311.065.11	311.065.12	<b>21.90</b>
7		311.070.11	311.070.12	<b>19.90</b>
8		311.080.11	311.080.12	<b>18.50</b>
8.2		311.082.11	311.082.12	<b>21.90</b>
9		311.090.11	311.090.12	<b>21.90</b>
9.52	3/8"	311.095.11	311.095.12	<b>20.90</b>
10		311.100.11	311.100.12	<b>20.90</b>
11		311.110.11	311.110.12	<b>25.50</b>
11.1	7/16"	311.111.11	311.111.12	<b>25.50</b>
12		311.120.11	311.120.12	<b>24.50</b>
12.7	1/2"	311.127.11	311.127.12	<b>30.90</b>
13		311.130.11	311.130.12	<b>33.50</b>
14		311.140.11	311.140.12	<b>33.50</b>
15		311.150.11	311.150.12	<b>34.50</b>
16		311.160.11	311.160.12	<b>35.50</b>
SPARE PARTS:		M5x10 mm screw	990.003.00	<b>0.90</b>

\* Cutting Length = 26 mm

#### TECHNICAL DETAILS:

- Premium quality super strength steel
- Spiral portion coated with black (RH) or orange (LH) Teflon®
- Solid TC head with center point
- 2 cutting edges (Z2) - 2 spiral flutes
- 2 negatively ground spurs (V2)
- Parallel shank with machined-flat for driving and length adjusting screw.

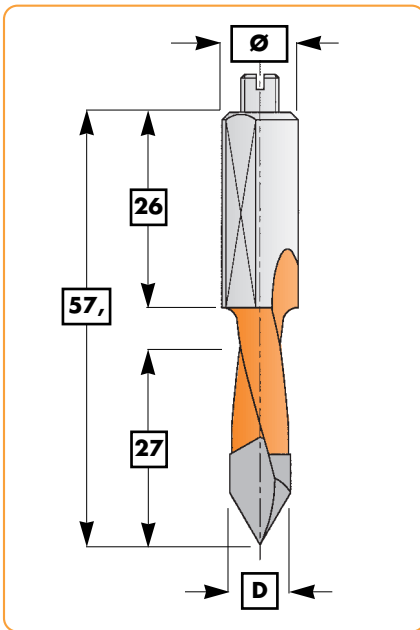
#### APPLICATION:

Used on boring machines alone or with chucks. For drilling blind holes in solid wood, wood composites or plastic laminated materials.

CMT offers a complete selection of bit lengths and diameters. Contact CMT USA, Inc. for a FREE 32 page copy of the CMT "Tools for Production Woodworking Catalogue" at 1-888-CMT BITS".

# Dowel drill for through holes\*

**313** CARBIDE TIPPED



Fits countersink 315.

**Shank Ø 10x26 mm Cutting Length 27 mm Overall Length**

D Cutting Diameter mm	Order No. Right-Hand Rotation	Order No. Left-Hand Rotation	List Price \$
5	313.050.11	313.050.12	<b>21.90</b>
6	313.060.11	313.060.12	<b>22.90</b>
8	313.080.11	313.080.12	<b>23.50</b>
10	313.100.11	313.100.12	<b>25.90</b>
SPARE PARTS: M5x10 mm screw		990.003.00	<b>0.90</b>

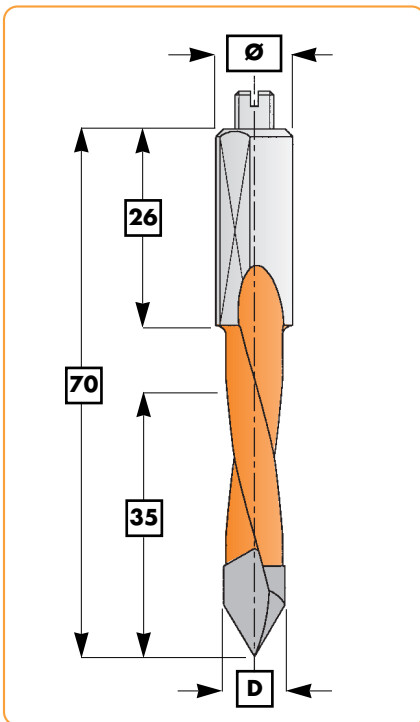
**TECHNICAL DETAILS:**

- Premium quality super strength steel
- Spiral portion coated with black (RH) or orange (LH) Teflon®
- Solid TC head • 2 cutting edges (Z2) • 2 spiral flutes
- Parallel shank with machined-flat for driving and length adjusting screw.

**APPLICATION:** Used on multi boring machines and dowel drilling devices. For drilling through holes in solid wood and wood composites.

\* For panels with 20 mm maximum thickness

**314** CARBIDE TIPPED



Fits countersink 315.

**Shank Ø 10x26 mm Cutting Length 35 mm Overall Length 70**

D Cutting Diameter mm	D Cutting Diameter inches	Order No. Right-Hand Rotation	Order No. Left-Hand Rotation	List Price \$
4 **	5/32"	314.040.11	314.040.12	<b>26.50</b>
4.76	3/16"	314.047.11	314.047.12	<b>26.50</b>
5		314.050.11	314.050.12	<b>23.50</b>
5.55	7/32"	314.055.11	314.055.12	<b>26.50</b>
6		314.060.11	314.060.12	<b>24.50</b>
6.35	1/4"	314.064.11	314.064.12	<b>27.90</b>
7		314.070.11	314.070.12	<b>25.50</b>
8		314.080.11	314.080.12	<b>25.50</b>
9		314.090.11	314.090.12	<b>27.90</b>
9.52	3/8"	314.095.11	314.095.12	<b>31.50</b>
10		314.100.11	314.100.12	<b>27.90</b>
12		314.120.11	314.120.12	<b>29.50</b>
12.7	1/2"	314.127.11	314.127.12	<b>33.50</b>
SPARE PARTS: M5x10 mm screw		990.003.00		<b>0.90</b>

\*\* Cutting Length = 30 mm

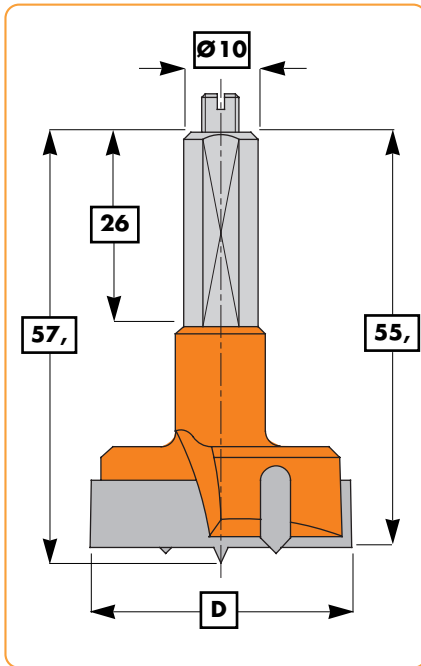
For panels with 30 mm maximum thickness

CMT offers a complete selection of bit lengths and diameters. Contact CMT USA for a FREE 32 page copy of the CMT "Tools for Production Woodworking Catalogue" at 1-888-CMT BITS".

# Hinge Boring Bits



## 317 CARBIDE TIPPED



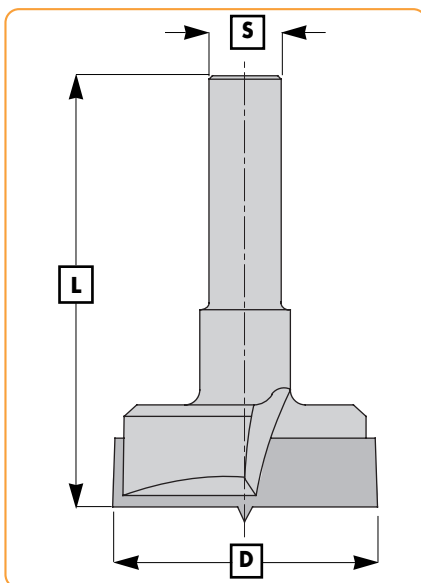
### Shank Ø 10x26 mm Overall Length 57.5 mm

D Cutting Diameter mm	Order No. Right-Hand Rotation	Order No. Left-Hand Rotation	List Price \$
15	317.150.11	317.150.12	<b>31.50</b>
16	317.160.11	317.160.12	<b>31.50</b>
18	317.180.11	317.180.12	<b>33.90</b>
20	317.200.11	317.200.12	<b>33.90</b>
22	317.220.11	317.220.12	<b>35.90</b>
24	317.240.11	317.240.12	<b>35.90</b>
25	317.250.11	317.250.12	<b>34.90</b>
26	317.260.11	317.260.12	<b>36.90</b>
28	317.280.11	317.280.12	<b>38.50</b>
30	317.300.11	317.300.12	<b>35.50</b>
32	317.320.11	317.320.12	<b>40.50</b>
35	317.350.11	317.350.12	<b>37.90</b>
38	317.380.11	317.380.12	<b>43.90</b>
40	317.400.11	317.400.12	<b>47.50</b>
SPARE PARTS:	M5x10 mm screw	990.003.00	<b>0.90</b>

**APPLICATION:** Used on boring machines alone or with adaptors and chucks. For drilling accurate and clean cut blind holes in solid wood, wood composites or laminated materials. Ideal for making cup holes for European hinges.

# Hinge Boring Bits *with parallel shank*

## 391 CARBIDE TIPPED



### Shank Ø 9.5x30 mm Overall Length 57 mm

D Cutting Diameter mm	Order No. Right-Hand Rotation	List Price \$
35	391.350.11	<b>27.50</b>

### Shank Ø 12.7x35 mm

### Overall Length 64

35	391.351.11	<b>27.50</b>
----	------------	--------------

**TECHNICAL DETAILS:**

- Made from special super strength steel
- TCT center point
- 2 TCT cutting edges (Z2)

**APPLICATION:**

Used for drilling of blind holes in solid wood, wood composites, or plastic laminated materials. Ideal for making cup holes for European hinges.

CMT offers a complete selection of bit lengths and diameters. Contact CMT USA for a FREE 32 page copy of the CMT "Tools for Production Woodworking Catalogue" at 1-888-CMT BITS".